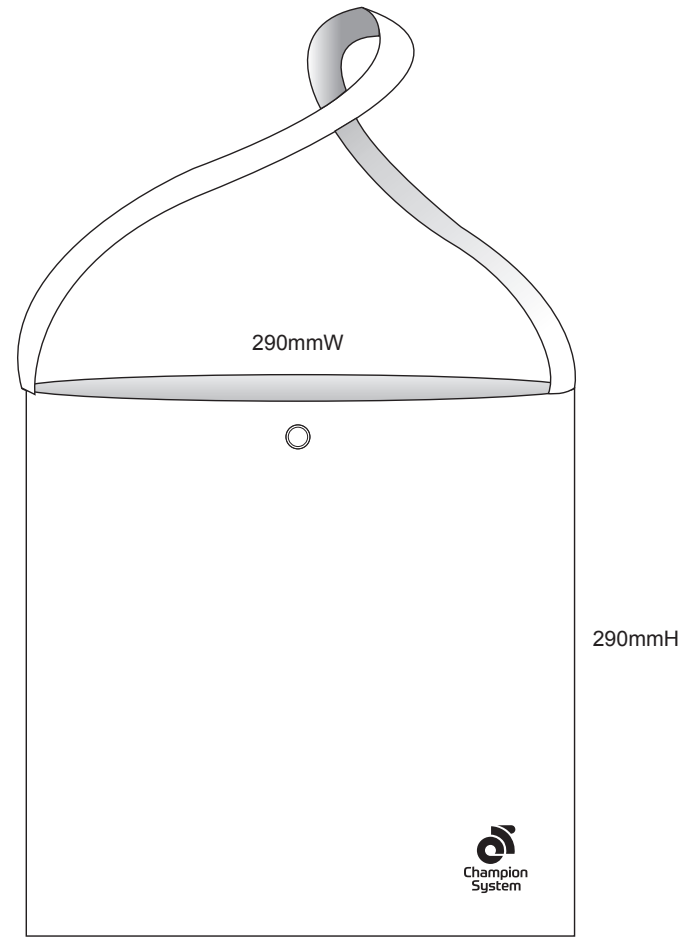


Front View



Back View

: Mussette Bag :
(BAG020)

TeamName_USXXXXXX_BAG020_Normal_V1.01

Graphic Editor: Name Start Date: 2000/00/00 End Date: 2000/00/00

Note:

Pantone Color Reference:



POLICIES AND PROCEDURES

sales@champ-sys.com **champ-sys.com**

- By approving these proofs you agree all spelling, logos and colors are correct. Placement and sizing may vary slightly due to template design and scaling. Once designs are approved no changes can be made.
- You are not obligated to purchase all of the items on this group proof, they are merely intended to show how your design will look on our various garment options.

DISCLAIMER:
THE CUSTOMER WARRANTS THAT IT IS THE OWNER OF THE INTELLECTUAL PROPERTY OF ALL DESIGNS, GRAPHICS, LOGOS AND TRADEMARKS ("THESE ITEMS") SUBMITTED OR UPLOADED BY THE CUSTOMER TO CHAMPION SYSTEM OR ITS WEB-SITE AND GIVES AN IRREVOCABLE AUTHORISATION AND UNCONDITIONAL PERMISSION TO CHAMPION SYSTEM TO USE THESE ITEMS FOR THE PURPOSE OF DESIGNING AND MANUFACTURING GARMENTS ORDERED BY THE CUSTOMER.
IF THE CUSTOMER IS NOT THE OWNER OF THE INTELLECTUAL PROPERTY OF THESE ITEMS, IT WARRANTS AND UNDERTAKES TO PROCURE WRITTEN CONSENTS AND PERMISSIONS FROM THE OWNER TO ALLOW THE CUSTOMER AND/OR CHAMPION SYSTEM TO USE THESE ITEMS. THE CUSTOMER SHALL FULLY INDEMNIFY CHAMPION SYSTEM AND HOLD IT FULLY INDEMNIFIED AND HARMLESS FROM ALL LIABILITIES LOSS AND DAMAGES WHICH MAY RESULT FROM ANY INFRINGEMENT CLAIMS BY OWNER OF THESE ITEMS.