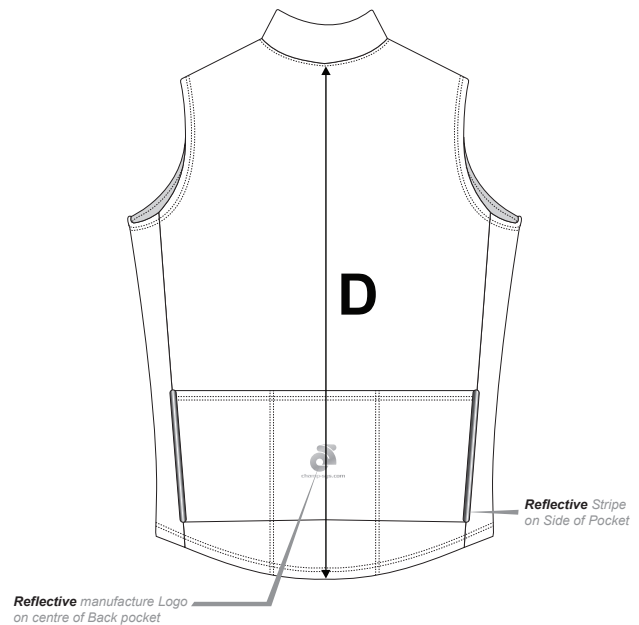
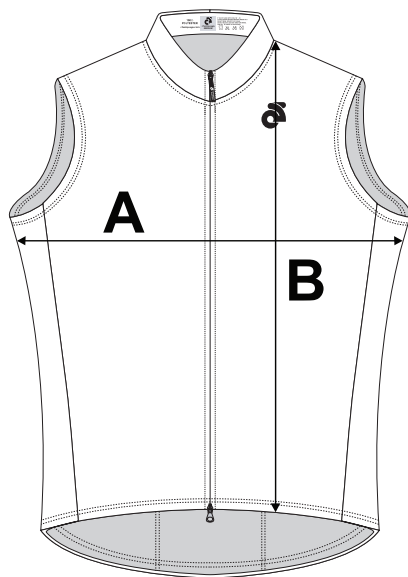


If you're unsure which size to buy, try measuring a Winter Vest that you already own that fits you well, and compare those measurements to the size chart. Lay the Winter Vest on a flat surface and use the above guide to measure the Winter Vest.

Note: All measurements are approximate.

Size	A (Chest)	B (Front Length)	D (Back Length)
XS	19"	22 1/2"	25 1/4"
S	20"	23 1/4"	25 7/8"
M	21"	24"	26 1/2"
L	22"	24 3/4"	27 1/8"
XL	23"	25 1/2"	27 3/4"
2XL	24"	26 1/4"	28 3/8"
3XL	25 1/2"	27"	29"
4XL	27"	27 3/4"	29 5/8"



If you're unsure which size to buy, try measuring a Winter Vest that you already own that fits you well, and compare those measurements to the size chart. Lay the Winter Vest on a flat surface and use the above guide to measure the Winter Vest.

Note: All measurements are approximate.

Size	A (Chest)	B (Front Length)	D (Back Length)
XS	18"	21 3/4"	24 1/2"
S	19"	22 1/2"	25 1/8"
M	20"	23 1/4"	25 3/4"
L	21"	24"	26 3/8"
XL	22"	24 3/4"	27"
2XL	23"	25 1/2"	27 5/8"
3XL	24 1/2"	26 1/4"	28 1/4"
4XL	26"	27"	28 7/8"